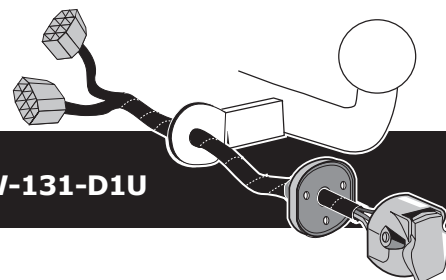


**Skoda Octavia Limo 2012 - 04/2014**  
**Skoda Octavia Combi 2013 - 04/2014**



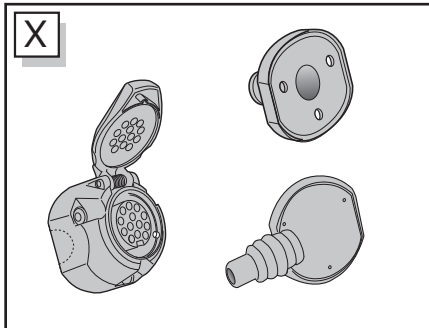
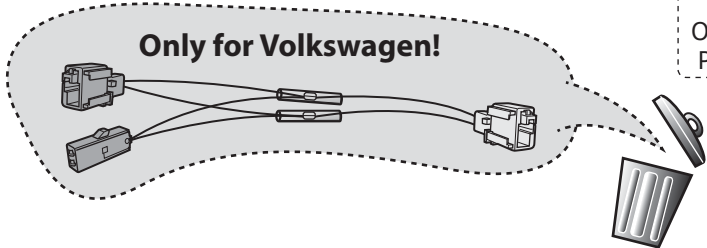
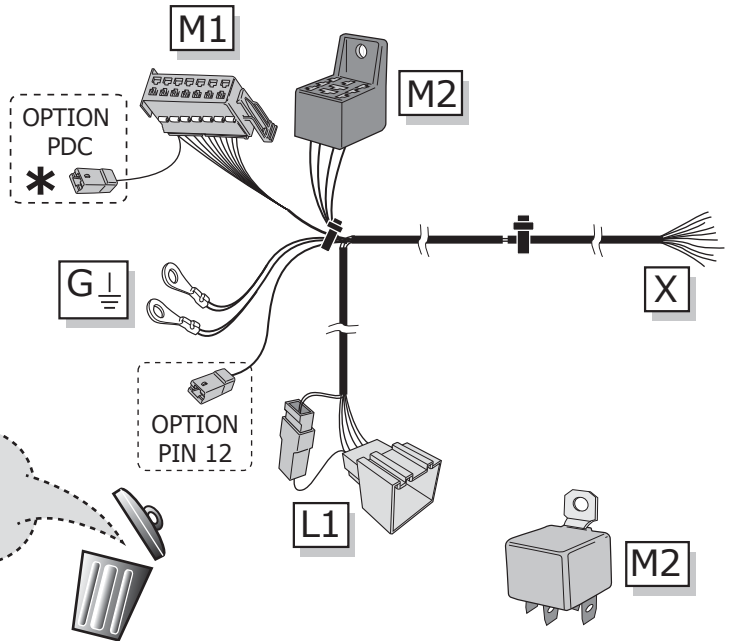
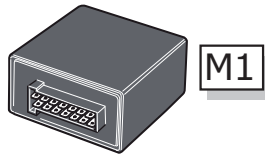
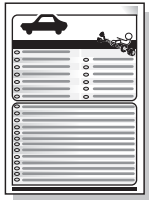
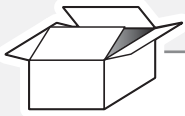
Only for models with towbar preparation

Partnr.: VW-131-D1U

- Fitting instructions electric wiring kit tow bar with 13-P socket up to DIN/ISO Norm 11446.
- We would expressly point out that assembly not carried out properly by a competent installer will result in cancellation of any right to damage compensation, in particular those arising by virtue of the product liability act.
- Contents of these kits and their fitting manuals are subject to alteration without notice, please ensure that these instructions are read and fully understood before commencing installation.
- Do not overload circuits; the maximum loads per connection are detailed in this manual.
- Attention! Before Installation, please read this manual carefully and inform your customer to consult the vehicle owners manual to check for any vehicle modifications required before towing.
- In the event of functional problems, troubleshooting must be limited to about 0.5 hours, contact the technical support:  
[ukts@ecs-electronics.com](mailto:ukts@ecs-electronics.com) / 07440 202 052.



# Part list



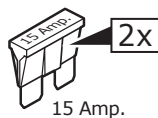
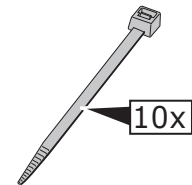
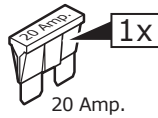
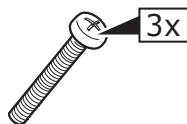
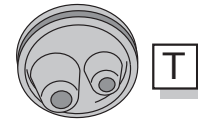
**Option P.D.C. \***

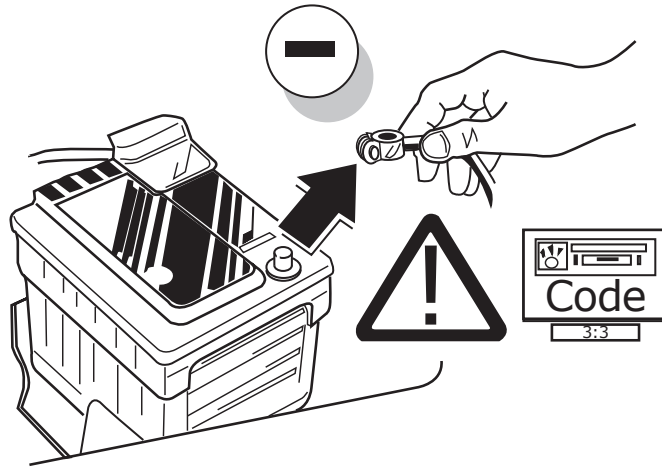
PARK DISTANCE CONTROL

↓

PARK DISTANCE CONTROL

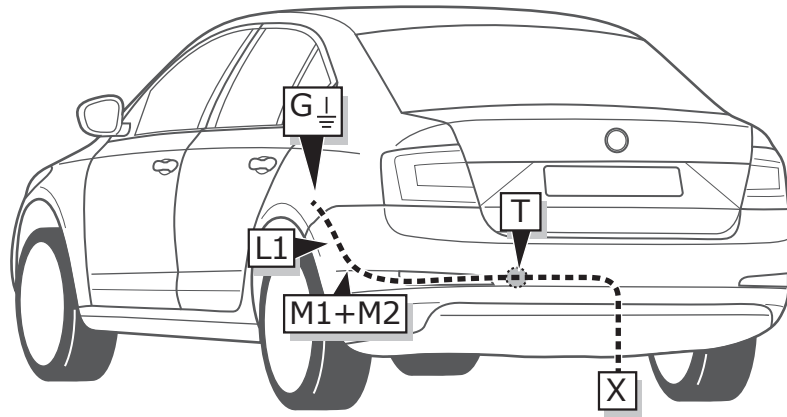
For not OEM P.D.C. System use the: VW-083-ZZ



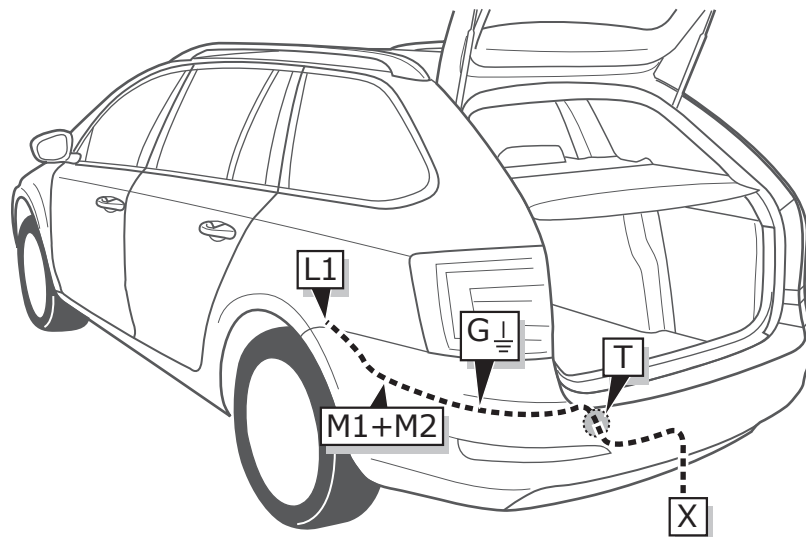


**ROUTING**

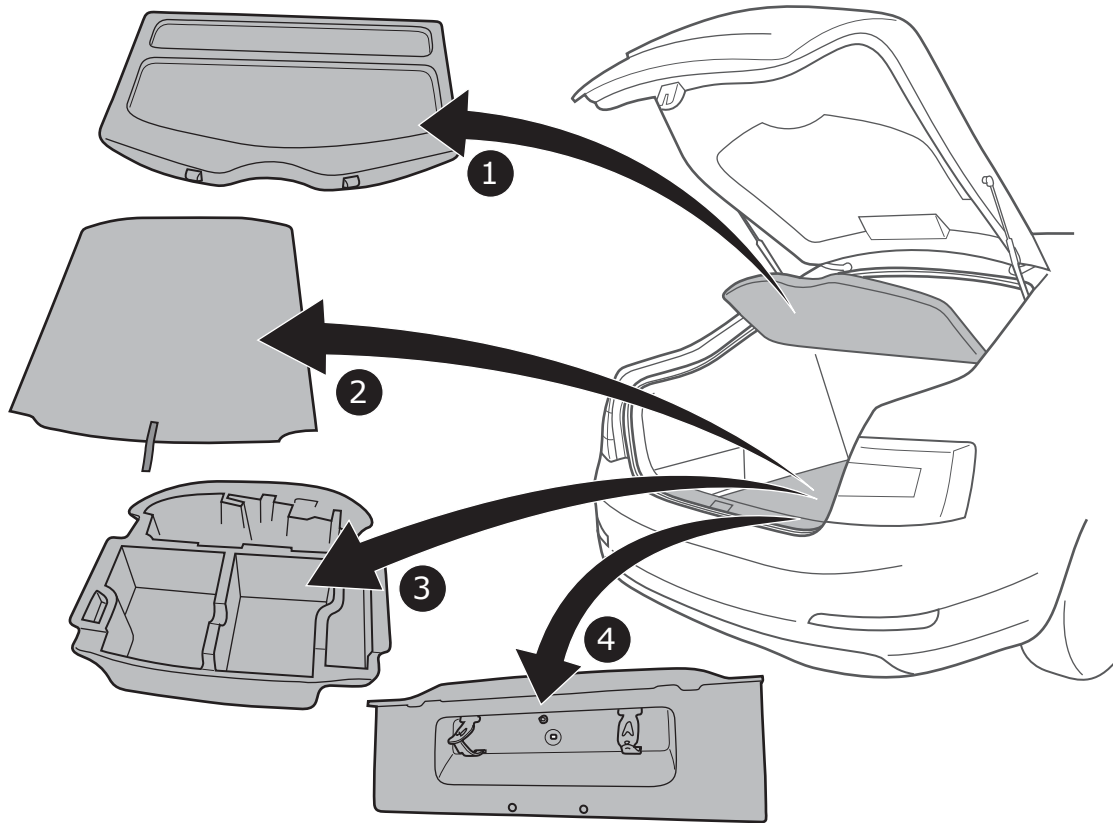
**Octavia Limo**



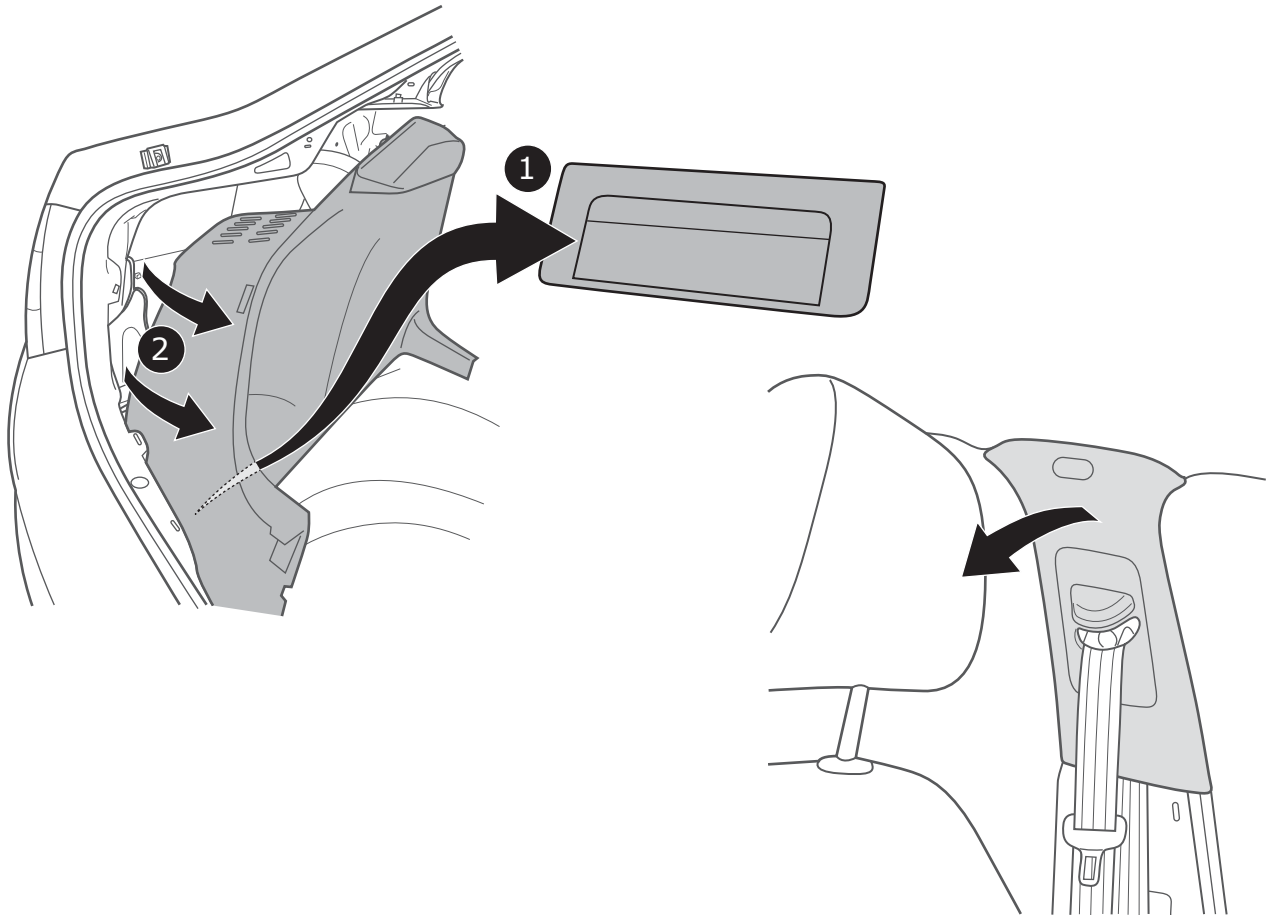
**Octavia Combi**



2

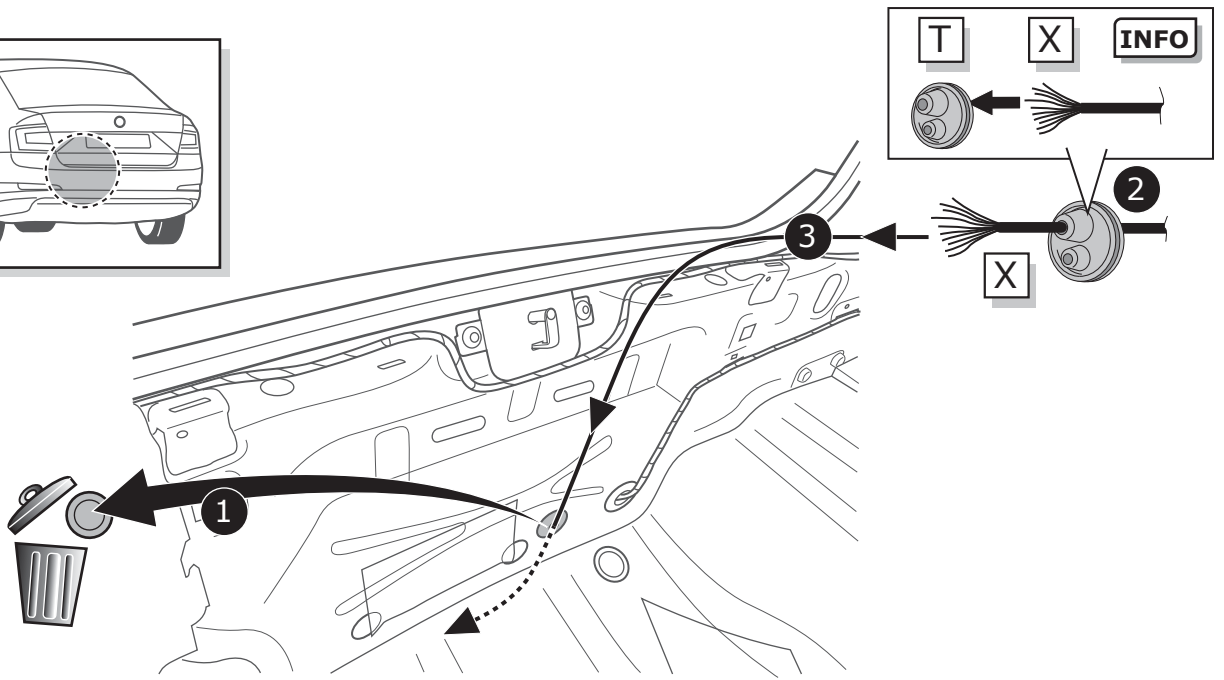
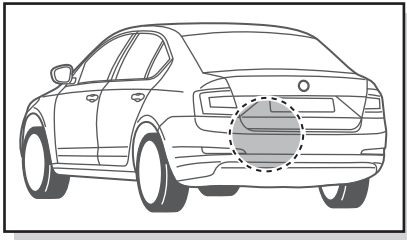


3



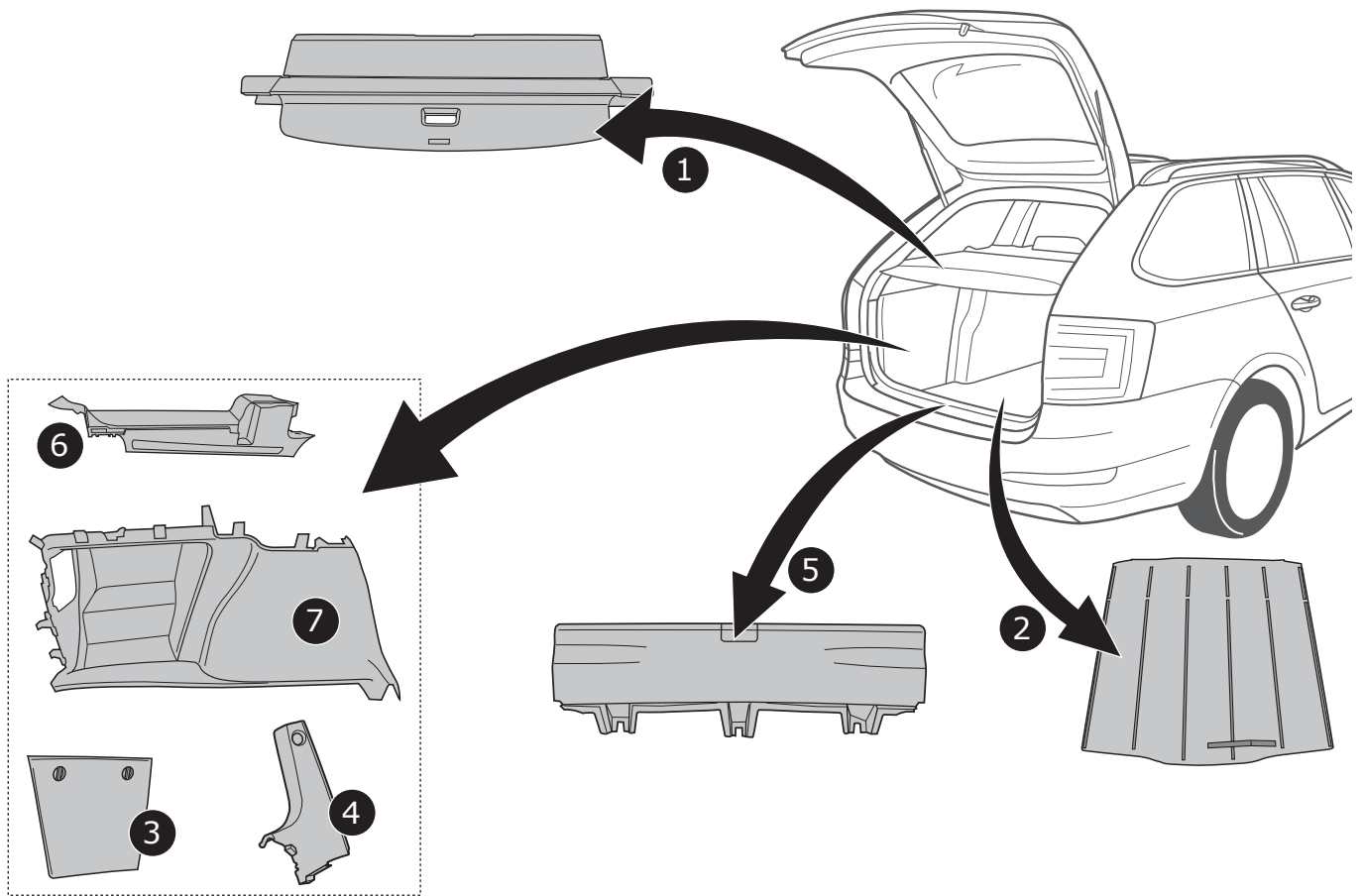
# Octavia Limo

4



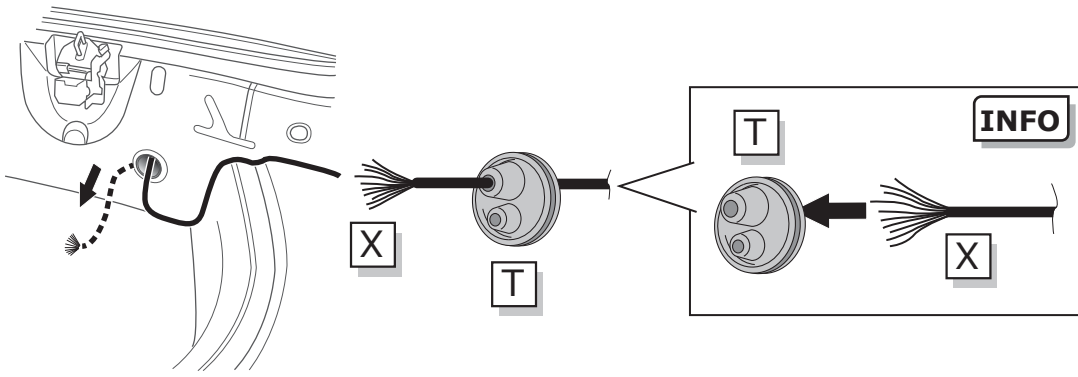
# Octavia Combi

5



# Octavia Combi

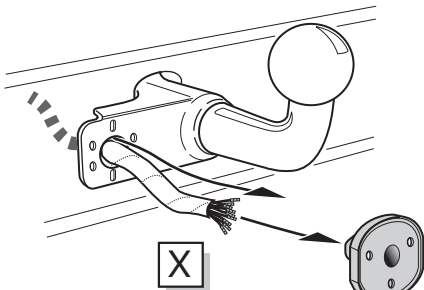
6



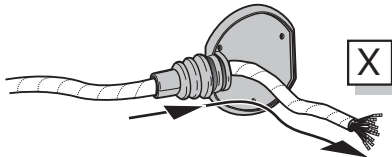
# Octavia Limo / Combi

A

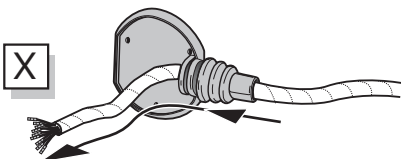
Option 1



Option 2



Option 3



INFO

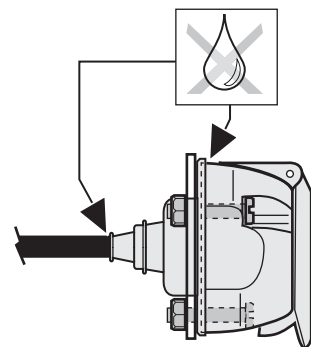
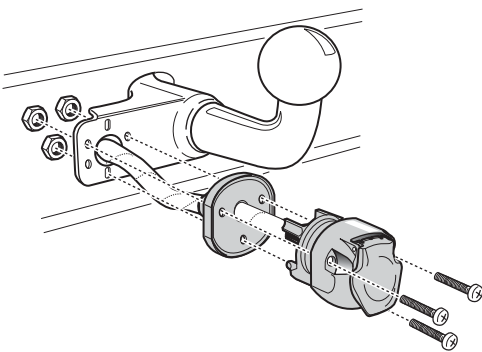
SOCKET CONNECTION



Page 10

B

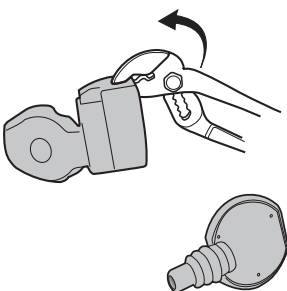
Option 1



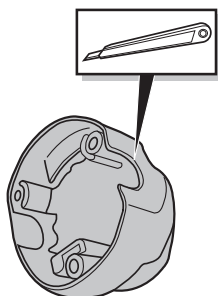
C

Option 2

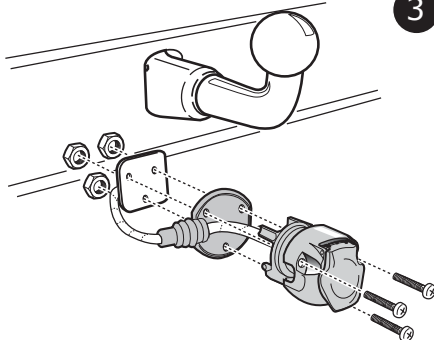
1



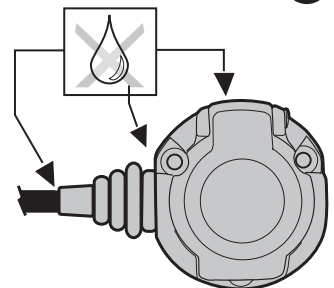
2



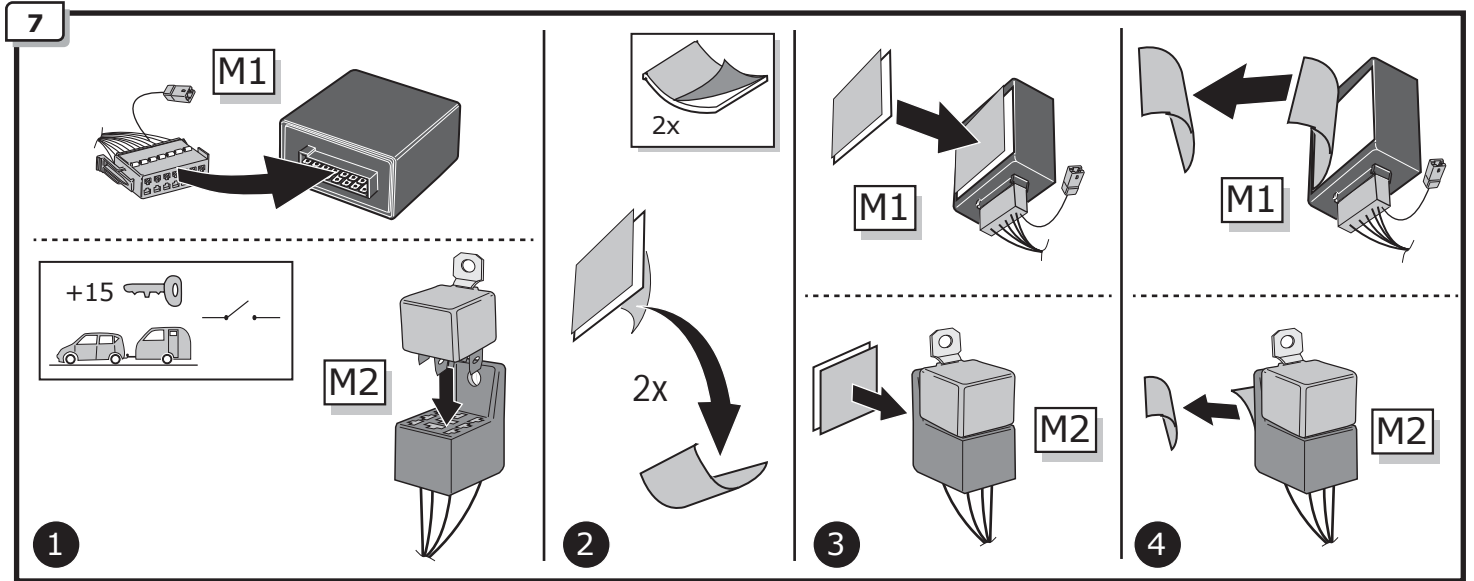
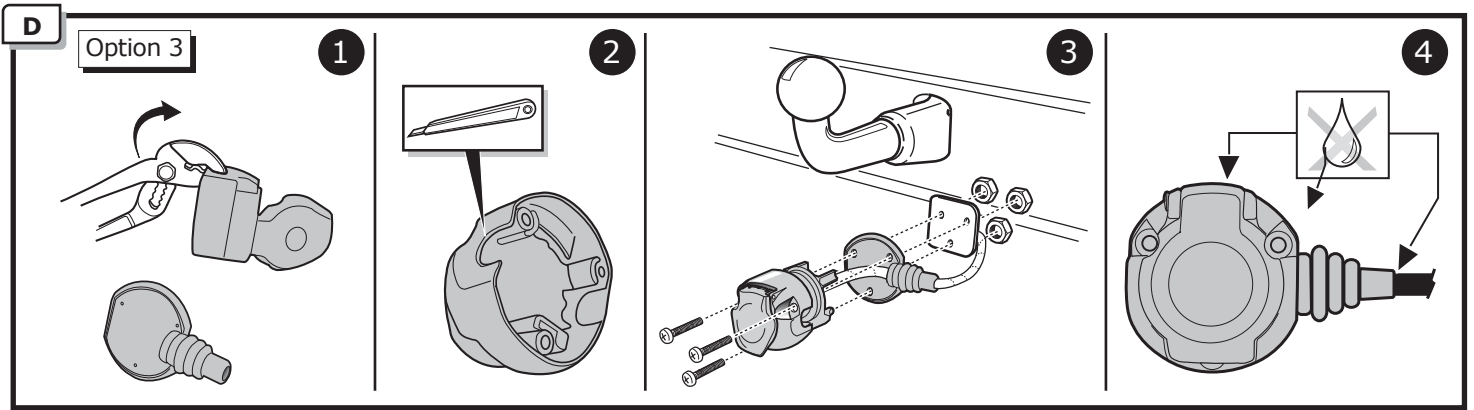
3



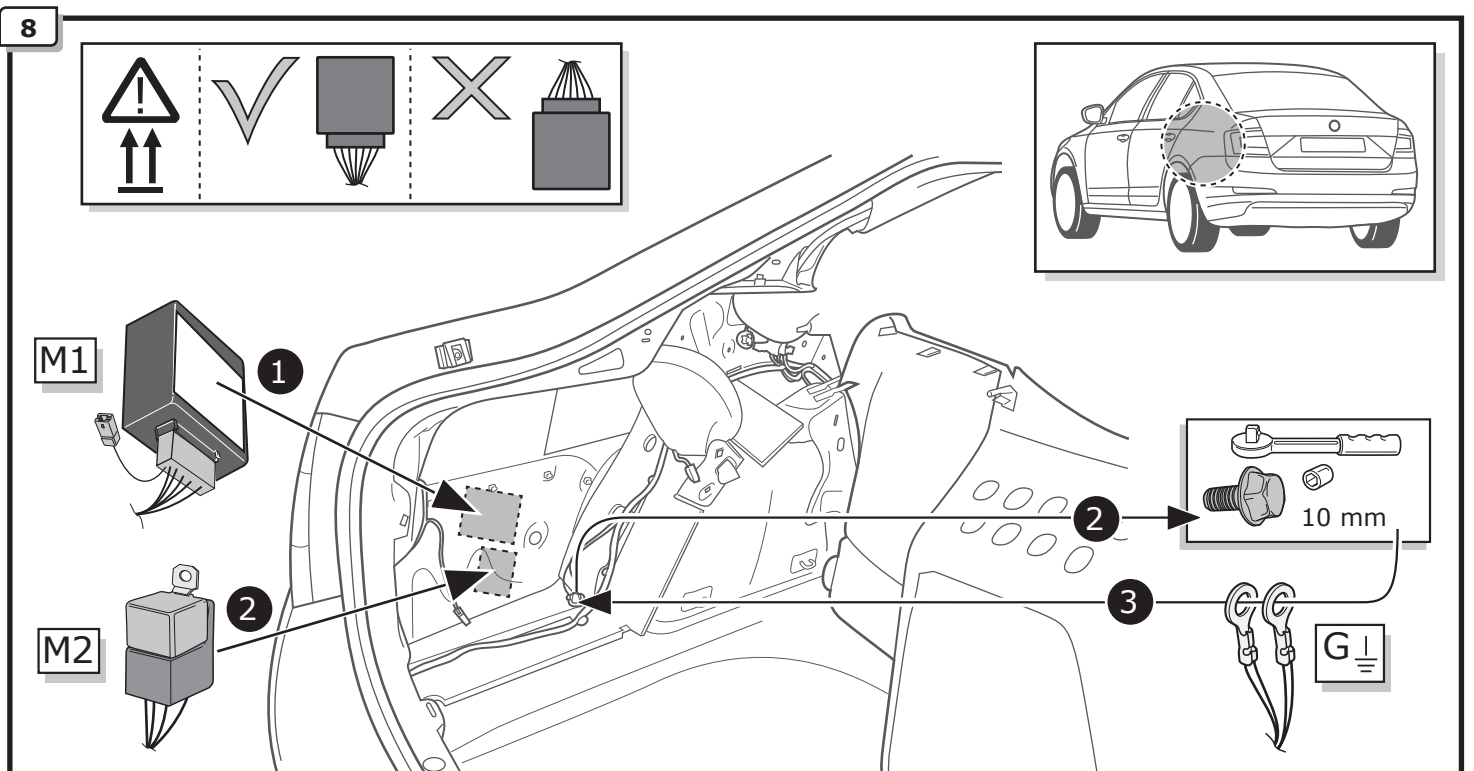
4



# Octavia Limo / Combi

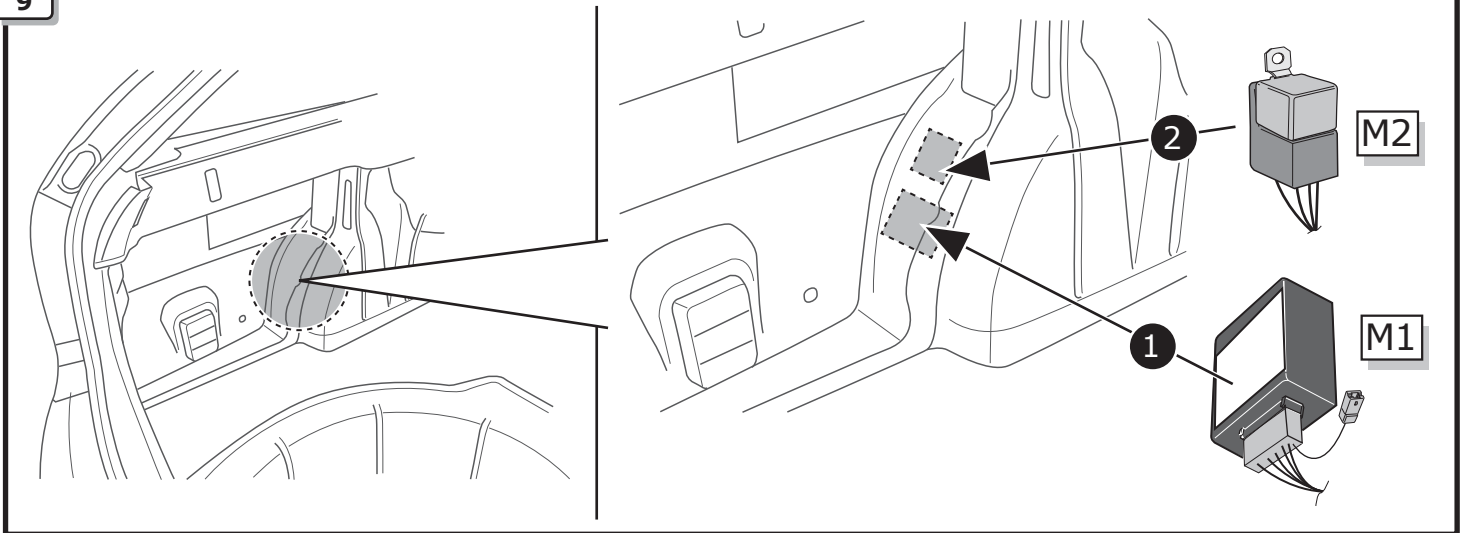


# Octavia Limo

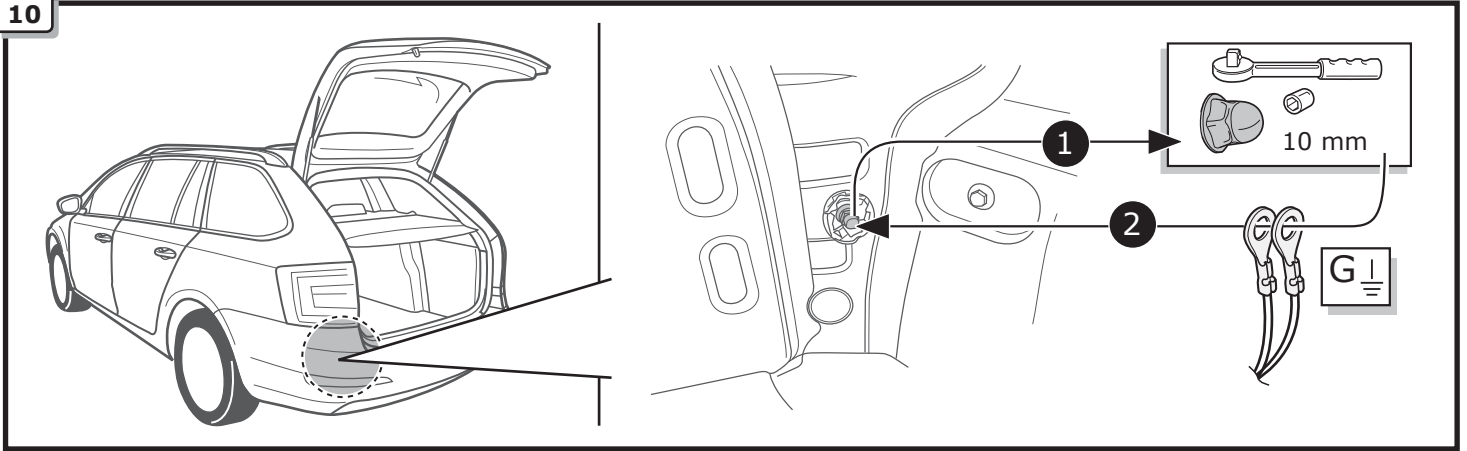


# Octavia Combi

9

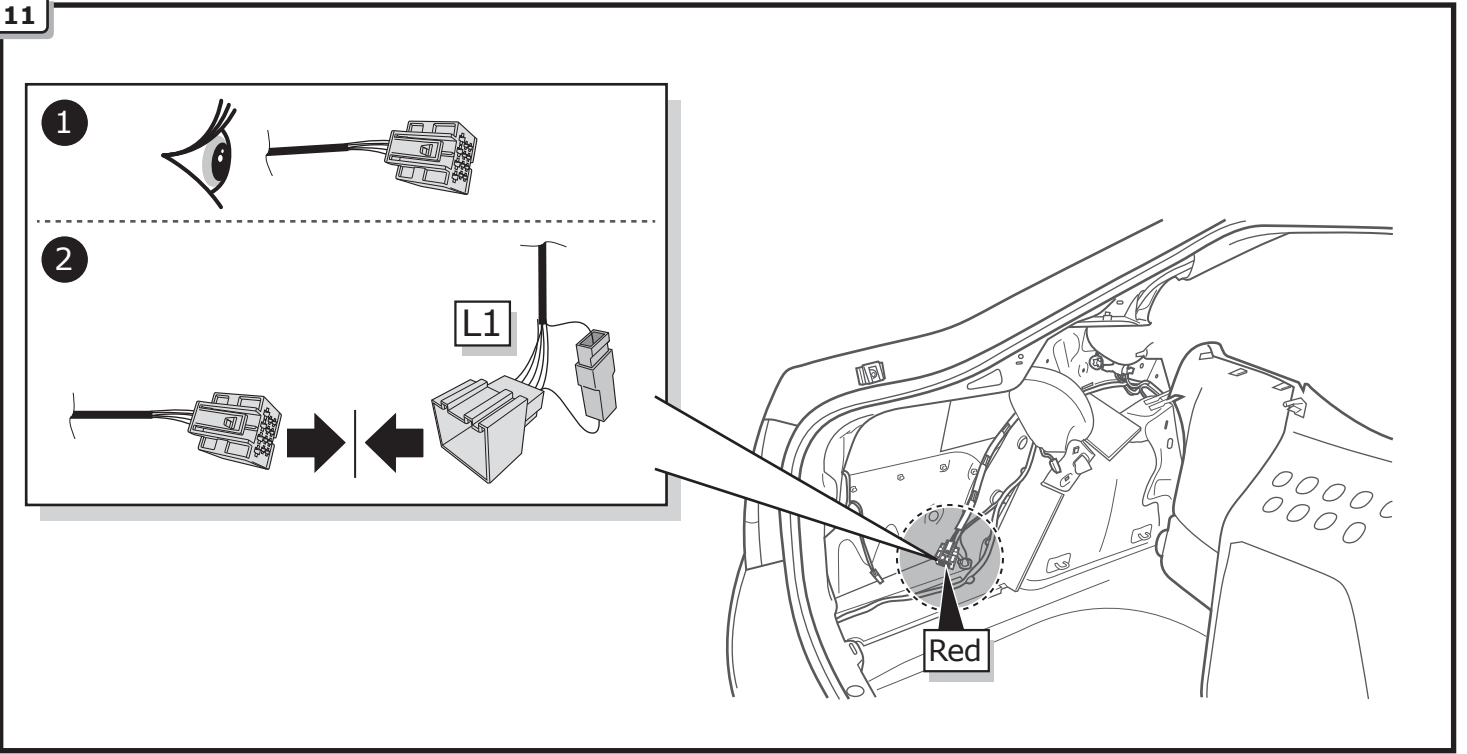


10



# Octavia Limo

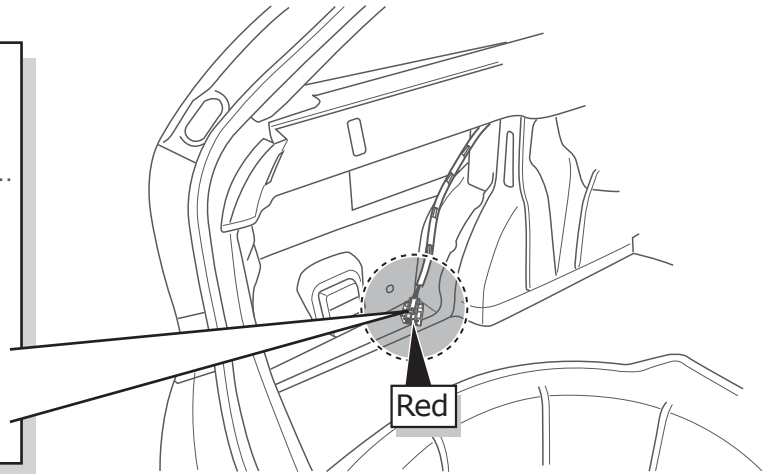
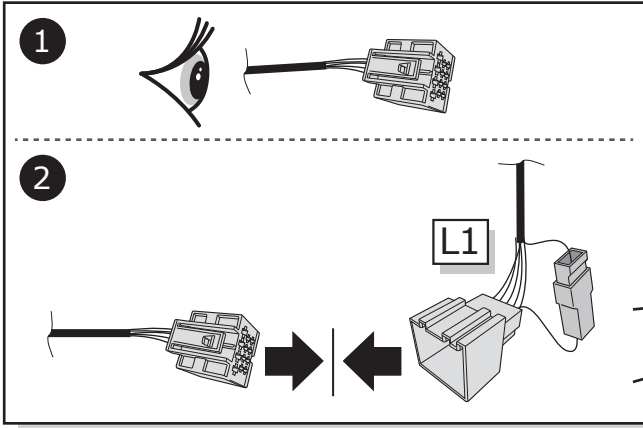
11





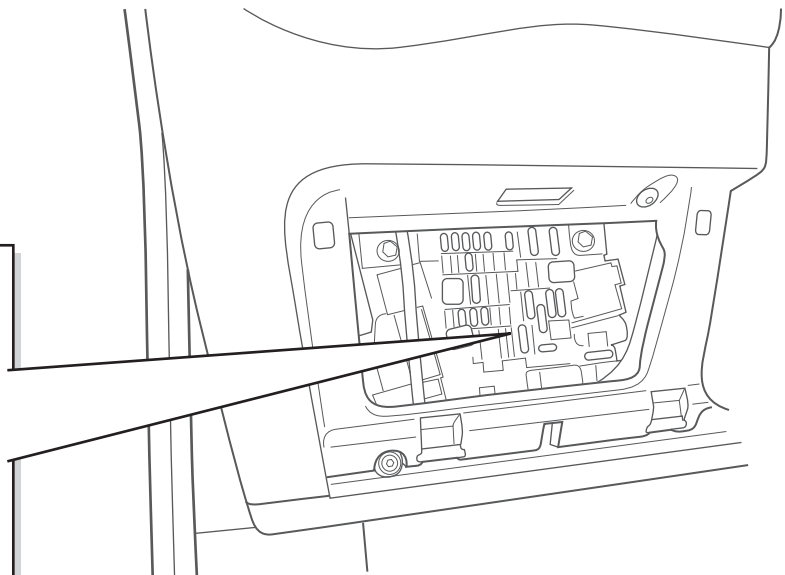
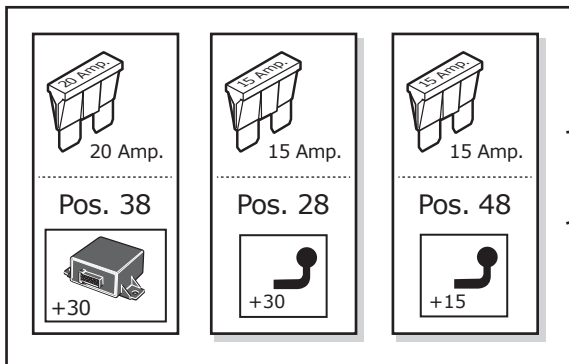
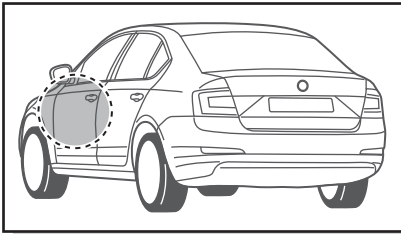
# Octavia Combi

12

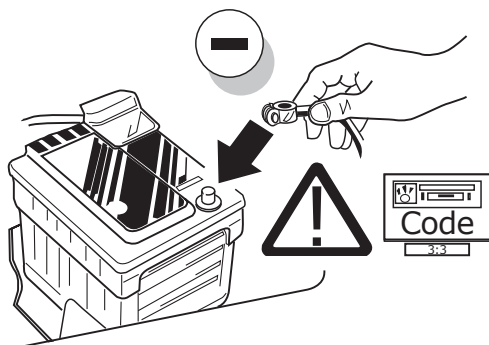


# Octavia Limo / Combi

13

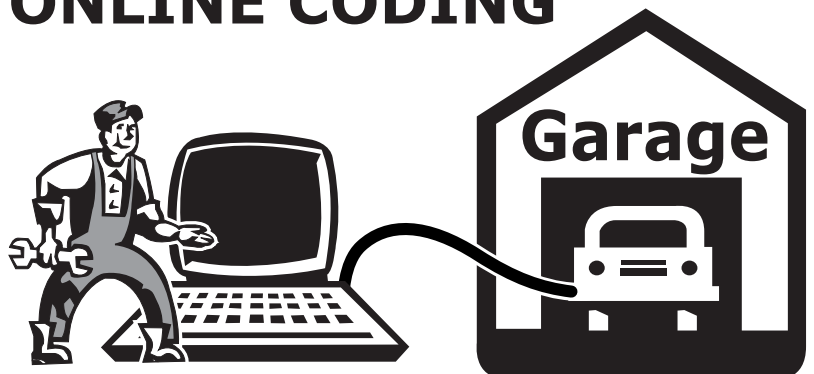


14



15

## ONLINE CODING



16

WARNING! IT MUST BE ENSURED THAT ALL THE REQUIREMENTS OF THE VEHICLE MANUFACTURER FOR CHANGES TO AND RETRO-FITTING ON THE VEHICLE AND/OR COOLING SYSTEM FOR THE OPERATION WITH A TRAILER ARE CARRIED OUT. SUBJECT TO CHANGE.

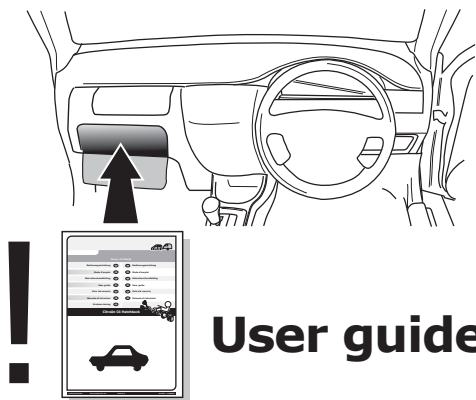
17

TEST ALL THE CIRCUITS WITH A TEST DEVICE WITH THE CORRECT POWER LOAD FOR EACH FUNCTION. A TEST DEVICE WITH LED'S CANNOT BE USED FOR THIS PURPOSE.

18

REINSTALL TRIM.

19



20

SOCKET CONNECTION

DIN/ISO 11446												—	
	1/L	2	3/31	4/R	5/58-R	6/54	7/58-L	8	9	10	11	12	13
Pmax	21W	21W		21W	42W	3x21W	42W	21W	180W/15Amp	180W/15Amp			
Colour	Black/ White	Blue	Brown	Black/ Green	Grey/ Red	Black/ Red	Grey/ Black	Black	Red	Yellow	Brown	Red/ Blue	Brown